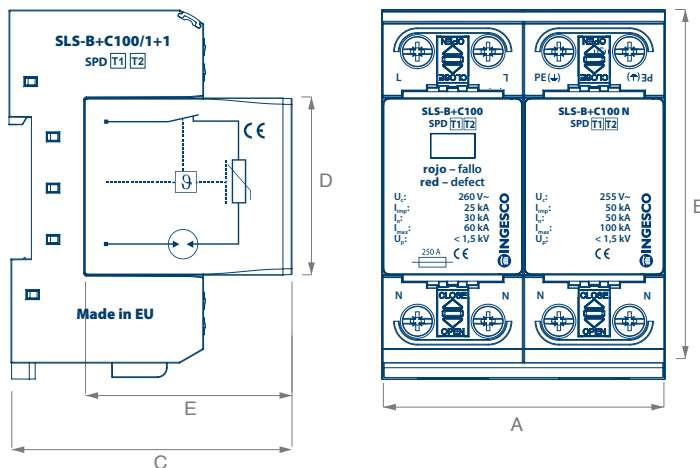


► SLS-B+C100/1+1

Lightning and surge arrester for single phase lines (F + N) 220 V.



► application

Combined type 1 and 2 (Class B + C) protector, suitable for protection of low voltage lines against lightning strikes and surges of up to 50kA (10/350) in TT (TNS) networks. Recommended for industrial facilities, systems and buildings with external lightning protection.

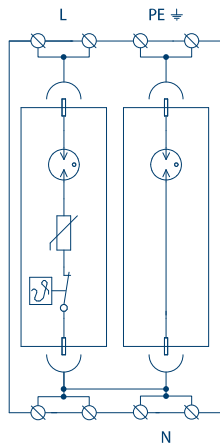
► characteristics & benefits

- Single phase protector (1-pole + NPE).
- Provides high protection thanks to its combination of high strength gas discharge (GDT) and a block of high-energy varistor (MOV), allowing high discharge power and a low residual voltage.
- Easily replaceable plug-in modules with locking system.
- Base and modules configured for secure mounting.
- Easy maintenance through local fault locator.

► technical specifications

Description	Ref.	Nº Phases	Grade protec.	Range T ^a work	A (mm)	B (mm)	C (mm)	D (mm)	E (mm)	Weight (g)
SLS-B+C100/1+1	370213	F+N	IP20	-40° a 80°C	72	90	72	45	48	670
SLS-B+C100/220V	370215	-	IP20	-40° a 80°C	-	-	-	45	48	300

► basic circuit diagram



► protective parameters

		L-N	NPE
Rated voltage	U_n	230 V AC	-
Maximum working voltage	U_c	260 V AC	255 V AC
Current peak value of lightning (10/350 μ s)	I_{imp}	25 kA	50 kA
Nominal discharge current (8/20 μ s)	I_n	30 kA	50 kA
Maximum discharge current (8/20 μ s)	I_{max}	60 kA	100 kA
Protection level	U_p	<1,50 kV	
Backup fuse maximum		250A gL/gG	-
Response time	t_A	100 ns	
Wire cross-section, rigid min/max		2,5-50mm ²	
Wire cross-section, flexible min/maxIndicator		2,5-35mm ³	
Local fault indicator		yes	no
Mounting type		DIN rail	

► standards and tests

- IEC 61.643-11:2011
- EN 61.643-11:2012
- UNE 61.643-11:2013
- IEC 62.305-1, 2, 3 y 4
- UNE 21.186:2011
- NFC 17-102:2011
- UNE EN 60.664-1:2008
- RBT



DENA DESARROLLOS SL

Duero 5 | 08223 Terrassa | Barcelona | Spain
T 937 360 305 | T (+34) 937 360 314
F 937 360 312
central@ingesco.com



SLS-B+C100/1+1